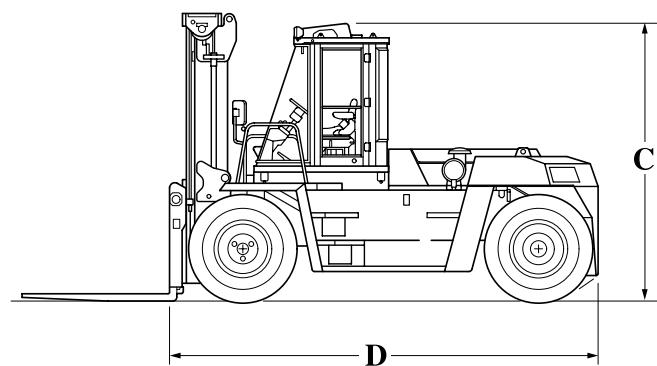
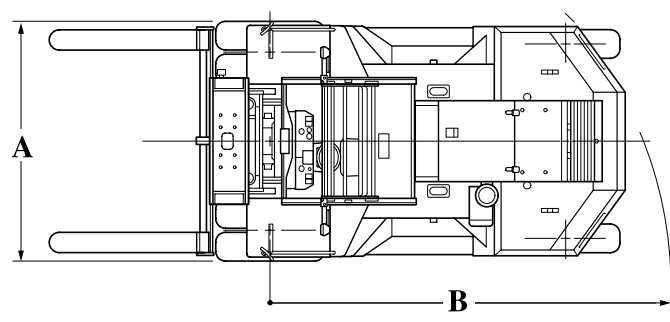


## MAIN SPECIFICATIONS

Model		4FD150	4FD180	4FD200	4FD230	4FD240
Engine Model		HINO J08E-T	HINO J08E-T	HINO J08E-T	HINO J08E-T	HINO J08E-T
Load Capacity	kg	15,000	18,000	20,000	23,000	24,000
Load Center	mm	900	900	900	900	1,250
Overall Width	A mm	2,935	2,960	3,040	3,045	3,045
Turning Radius (Outside)	B mm	4,950	4,950	5,000	5,200	5,900
Overhead Guard Height (Cabin Height)	C mm	3,400	3,430	3,465	3,465	3,560
Length to Fork Face	D mm	5,265	5,290	5,370	5,545	6,315

## ENGINE SPECIFICATIONS

Engine Model		HINO J08E-T	HINO J08E-T
Model		4FD150-4FD230	4FD240
Piston Displacement	CC	7,684	7,684
Rated Horsepower/r.p.m	kW	128 / 2,300	159 / 2,300
	JIS ps	174 / 2,300	216 / 2,300
Rated Torque/r.p.m	Nm	640 / 1,600	750 / 1,600
	JIS kgfm	65 / 1,600	76.5 / 1,600



Availability and specifications are determined regionally and are subject to change without notice. Please consult your Toyota representative for details.

This brochure is printed on recycled paper with soy ink. 



**TOYOTA Material Handling Company**  
A Division of TOYOTA INDUSTRIES CORPORATION  
CAT.4FD150-240/E-0407/©/Printed in Japan/No.711130E0/1,900

# 15.0 to 24.0 ton SERIES





# Ecology and Economy, with Ease & Comfort.



Toyota offers a new large-capacity forklift based on these three types of ECO. Along with power and maneuverability, this forklift embodies and highlights all the many other features that heavy work demands. Toyota's new large-capacity forklift is ready to move. The right choice to meet your needs today.

## Ecology

Industry's First

# LEAVES

Low Emission AdVanced Engine Series

Toyota's new forklifts are not just powerful, making heavy work fast and effortless, but are also equipped with the latest low-emission, quiet, common-rail direct injection diesel engines, delivering significant improvements to the working environment.

Common-rail direct injection



Powerful

Rated Horsepower/r.p.m  
4FD150  
4FD230  
**128kW**  
/2,300  
Rated Torque/r.p.m  
**640Nm**  
/1,600

Rated Horsepower/r.p.m  
4FD240  
**159kW**  
/2,300  
Rated Torque/r.p.m  
**750Nm**  
/1,600

Exhaust gas amount

HC **0.2g/kWh**

Europe: EEC Stage2 America: EPA Tier2  
Regulation levels cleared

CO **0.9g/kWh**

NOx **5.5g/kWh**

Black Smoke **11%**



The model shown is equipped with optional equipment.

# Ease & Comfort

A low-vibration, low-noise, fully floating pillar-less cabin with excellent field of vision and large capacity air conditioner ensure that work is performed in a comfortable environment. Furthermore, superb features such as power assisted control lever, smooth two-stator torque converter, and electrical switch-parking brake, full hydraulic power steering with steering synchronizer help to eliminate stress and reduce driver fatigue.



### Multi-function Suspension Seat (Std)

This seat, with reclining function, seatbelts, and body weight adjustment feature fitted as standard, also comes equipped with an optional seat swivel function. The ergonomic seat design ensures operator comfort while working.



Easy cabin entry and exit



Comfortable seating when driving backwards



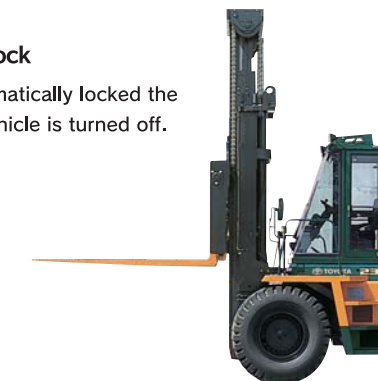
### Full Hydraulic Power Steering with Steering Synchronizer

In order to realize smooth handle operation, knob displacement has been eliminated using knob positioning control to automatically align the rear wheel cornering angle and steering.



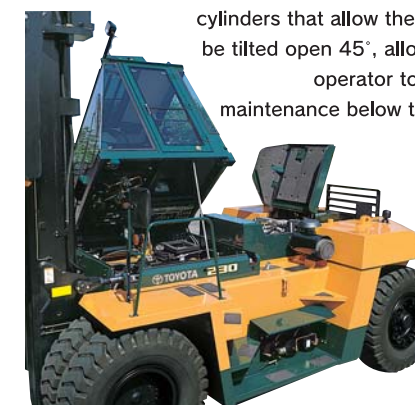
### Key-off Lift Lock

The lift is automatically locked the moment the vehicle is turned off.



# Economy

With efficiency and cost in mind, these new heavyweight forklifts feature a wide range of features and equipment designed to enable efficient maintenance, including hydraulic cylinders that allow the cabin to be tilted open 45°, allowing the operator to perform maintenance below the floor.



### Wet Disc Brake with Dedicated Cooling Circuit.

A dedicated oil cooler is used to perform forced cooling in order to avoid problems caused by heating. This highly reliable brake not only provides the operator with peace of mind, but also contributes to greatly reduced brake maintenance costs.

Wet Disc Brake

